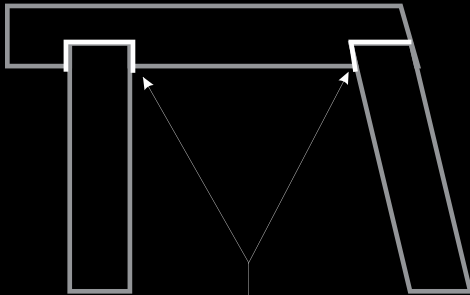


The Best Built Enclosures

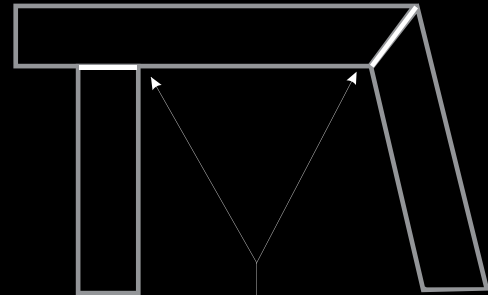
Bassworx delivers the best enclosure solutions, resulting in peak performance from your subwoofer system. Quality craftsmanship, high-tech woodworking equipment, and years of experience ensure each enclosure is built right every time.

BASSWORX

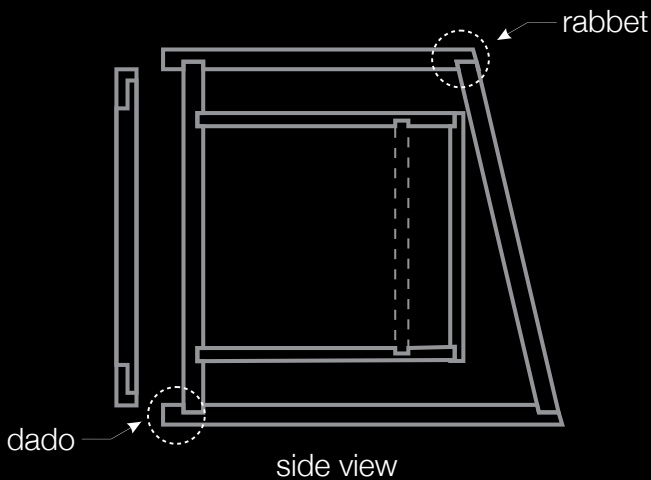
Others



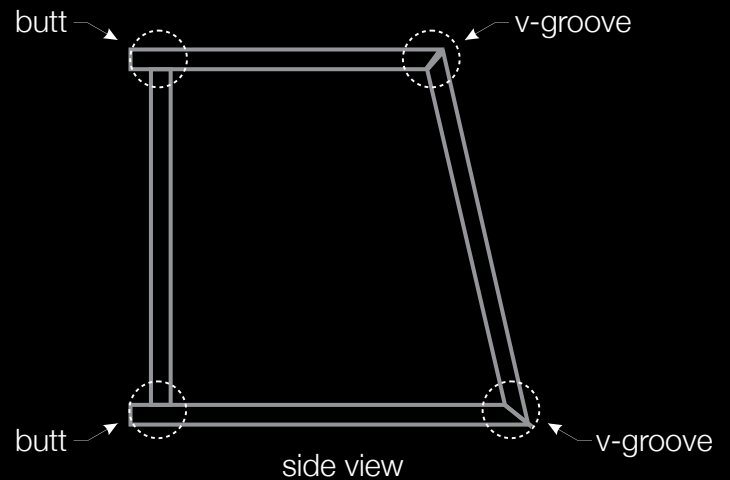
more glue!
air tight!
stronger bond!



less glue!
prone to air leaks!
non-locking!



side view



side view

Every Bassworx enclosure is machined with accuracy, utilizing the latest in CNC automated fabrication. Rabbet and dado assembly ensures the strongest enclosure with an air-tight seal at every joint.

No expense is spared and no corner is cut when it comes to designing and producing each and every enclosure. When you purchase a Bassworx enclosure, you are getting the best!

